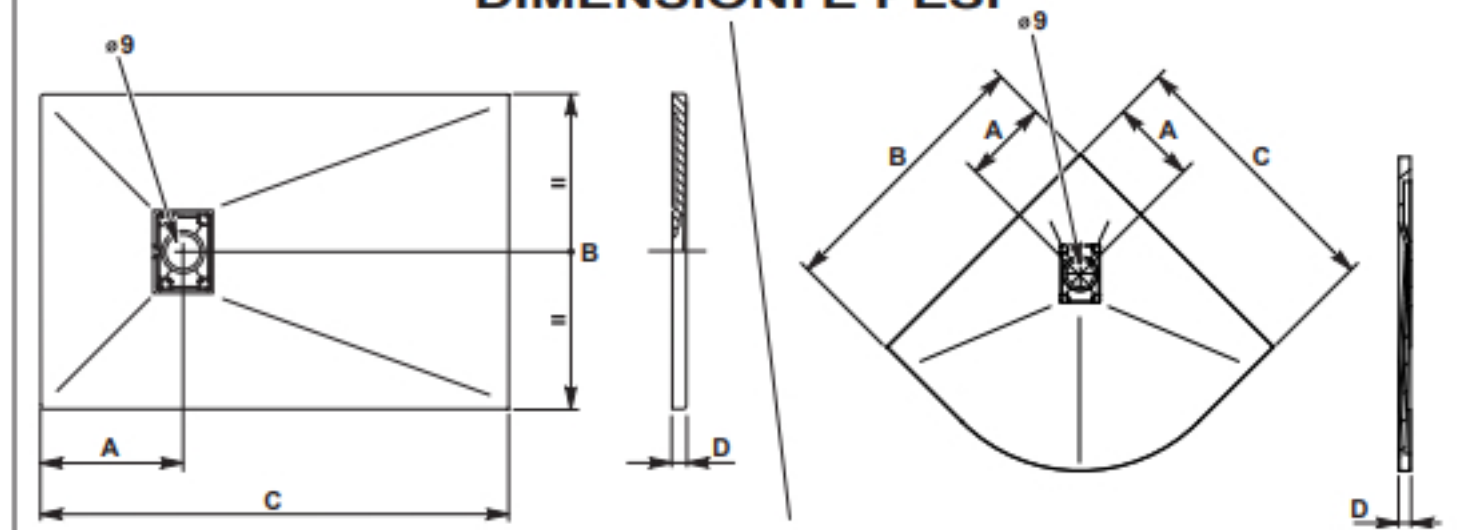


DIMENSIONI E PESI


Per installazioni di altri modelli di doccia verificare con le misure del produttore

Modello	A (cm)	B (cm)	C (cm)	D (cm)	Peso (kg)
Angolare					
80 x 80	18	80	80	3	21,0
90 x 90	28	90	90	3	27,0
Quadrato					
70 x 70	33	70	70	3	22,0
75 x 75	33	75	75	3	23,0
80 x 80	38	80	80	3	24,0
90 x 90	43	90	90	3	27,0
Rettangolare					
70 x 90	33	70	90	3	21,0
70 x 100	33	70	100	3	24,0
70 x 110	33	70	110	3	29,0
70 x 120	33	70	120	3	30,0
70 x 130	33	70	130	3	32,0
70 x 140	33	70	140	3	37,0
70 x 150	33	70	150	3	42,0
70 x 160	33	70	160	3	46,0
70 x 170	33	70	170	3	50,0
80 x 100	38	80	100	3	27,0
80 x 110	38	80	110	3	32,0
80 x 120	38	80	120	3	34,0
80 x 130	38	80	130	3	35,0
80 x 140	38	80	140	3	40,0
80 x 150	38	80	150	3	45,0
80 x 160	38	80	160	3	50,0
80 x 170	38	80	170	3	55,0
80 x 180	38	80	170	3	60,0
90 x 120	43	90	120	3	36,0
90 x 140	43	90	140	3	48,0
90 x 150	43	90	150	3	55,0
90 x 170	43	90	170	3	60,0
90 x 180	43	90	180	3	65,0
90 x 190	43	90	190	3	70,0
100 x 150	43	100	150	3	61,0
100 x 200	33	100	200	3	90,0

Le dimensioni sono espresse in cm.

(Tolleranza ± 5 mm)

Per misure superiori a 140cm si consiglia di posizionare la piletta in corrispondenza del soffione